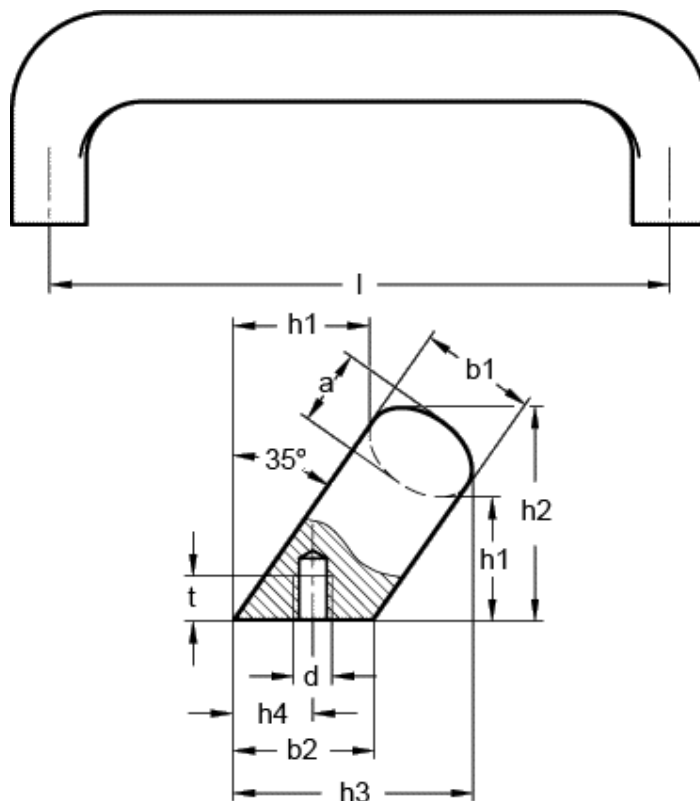


Article number: 20176166

Description: E+G Cabinet U-handle GN 565.2-26-160-SW

Measures



a	= 17	l	= 160
b1	= 26	r	= 17
b2	= 32	t min	= 12
d	= M8		
h1	= 34		
h2	= 54		
h3	= 57		
h4 +1	= 18.0		